



STANDARDS
FOR POLE BARN CONSTRUCTION
BOISE COUNTY
PLANNING & ZONING
DEPARTMENT

Pole Barns Standards

The Pole Barn standard is intended to speed up the permitting process by providing this standard for issuance of a building permit within Boise County jurisdiction. This standard is not meant to be substituted for, or be contrary to, provisions of the building codes.

If the proposed structure exceeds an exterior side wall height of 12' engineering is required. The structure height may not exceed 15' in total height. An alternate design prepared by a State of Idaho design professional may be considered by the Building Official.

Governing codes for Boise County: 2018 International Residential Code and the 2018 International Building Code.

FOOTING

Shall bear on virgin soil a minimum of 48" below the finished grade and have a minimum width of 18".

SKIRT BOARDS

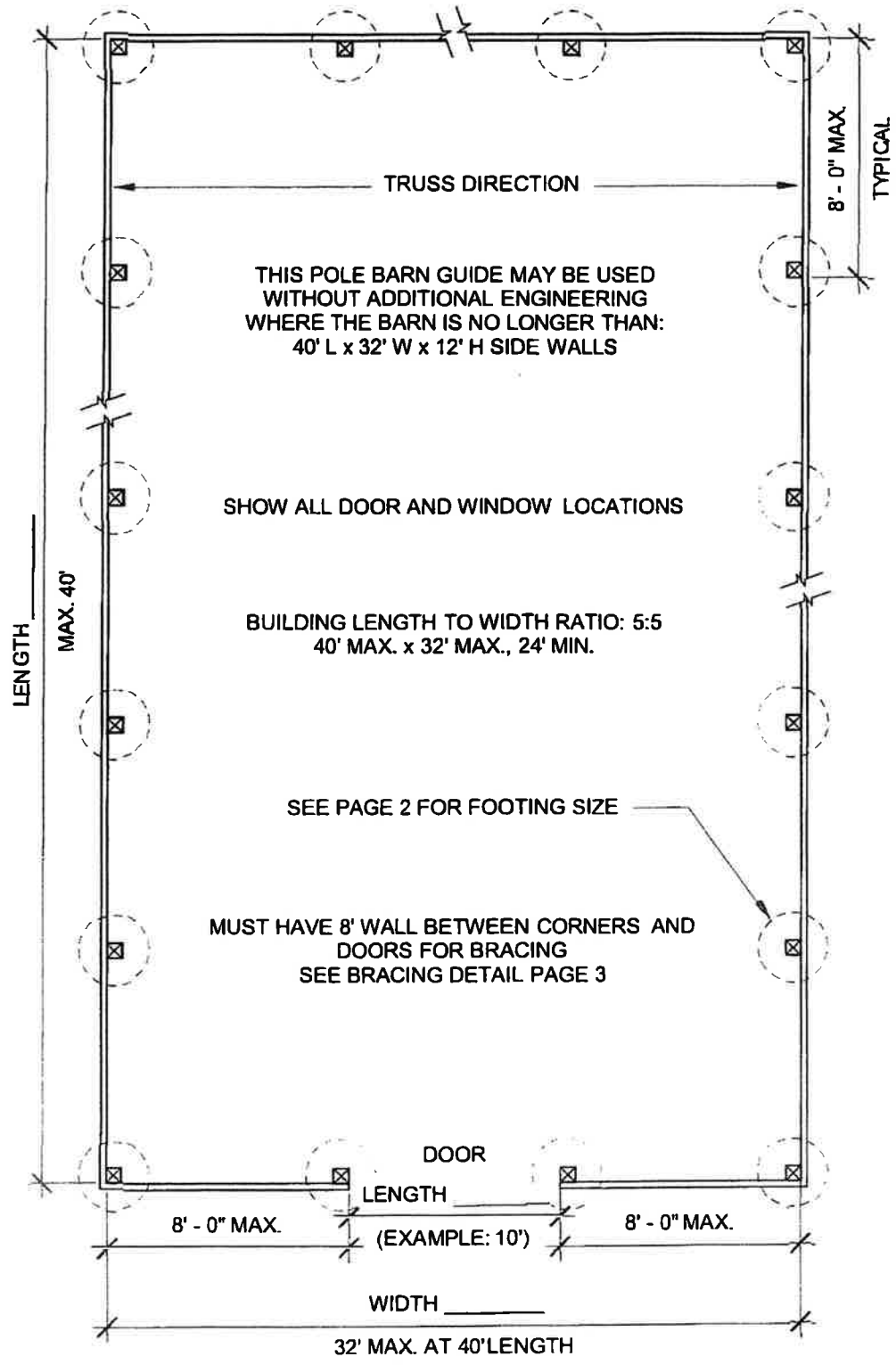
Shall be tongue and groove and decay resistant. Shall be installed from the base of the slab to a point not less than 8" above finish grade.

CONCRETE SLABS

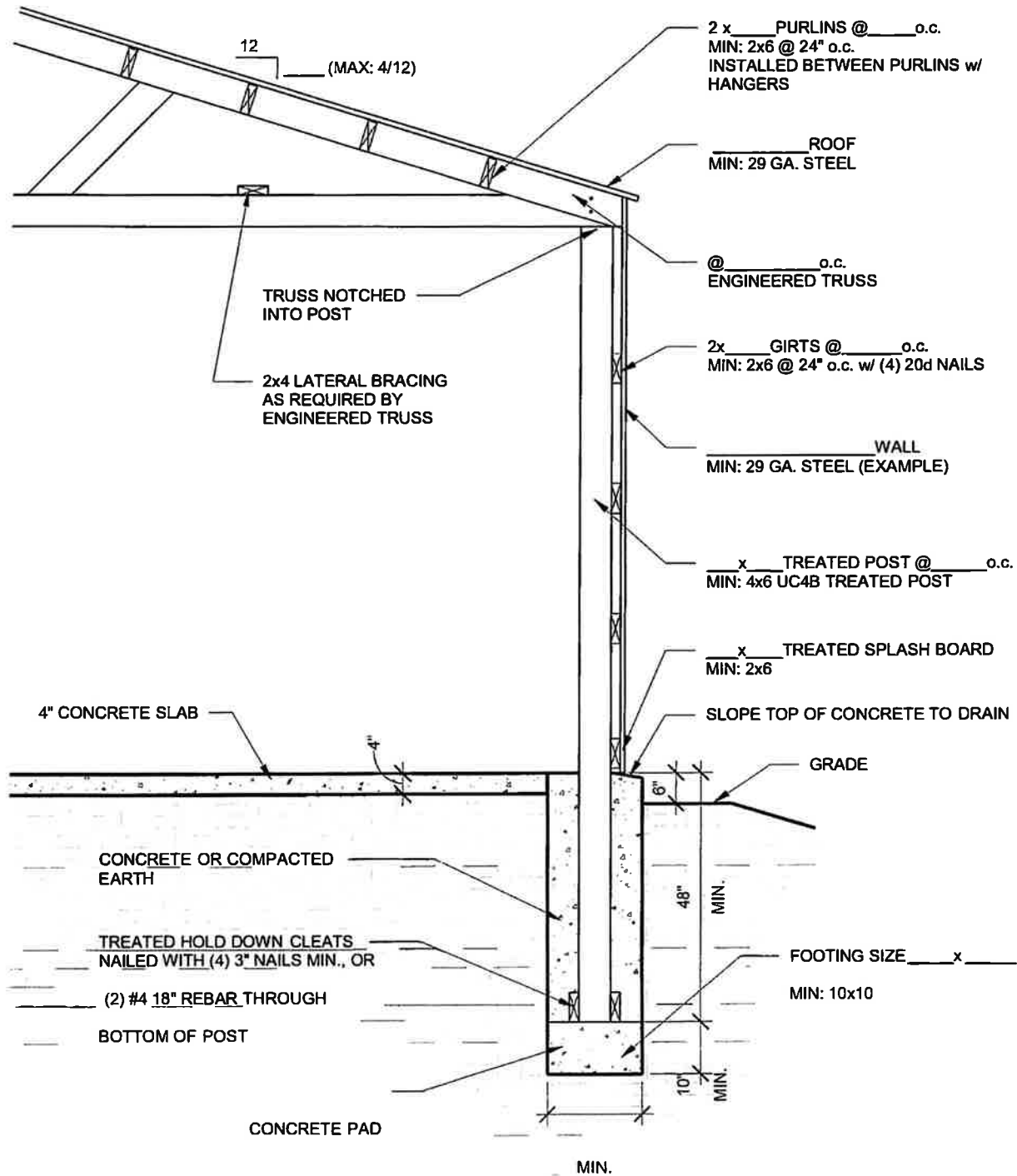
Shall not be placed in direct contact with load-bearing poles. Poles shall be separated from concrete slabs with expansion joint filler or 15 pounds felt.

POLES

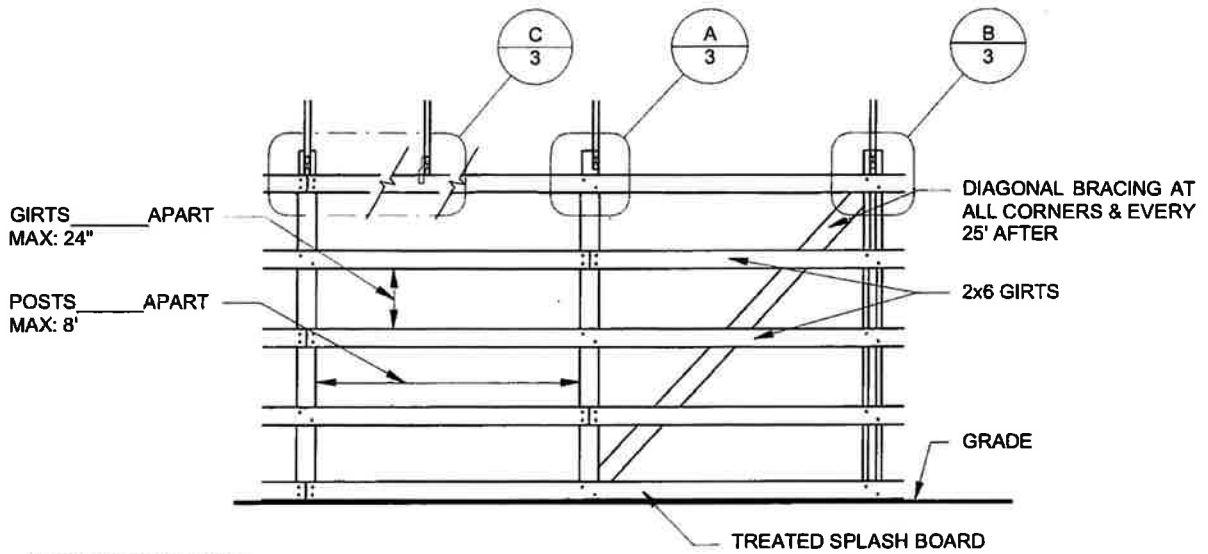
Minimum pole size shall be 4" x 6" nominal and poles located at end walls may be 4" x 4" with the 6" dimension perpendicular to the wall. Pole spacing shall not exceed 8'. All poles shall be pressure treated.



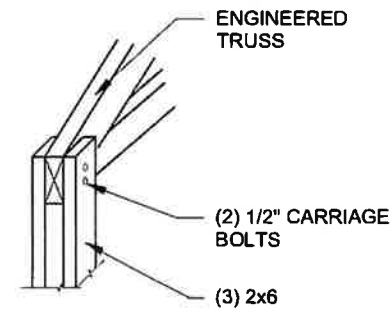
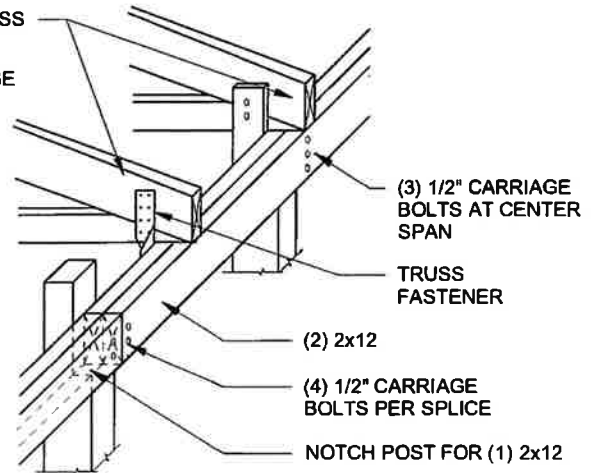
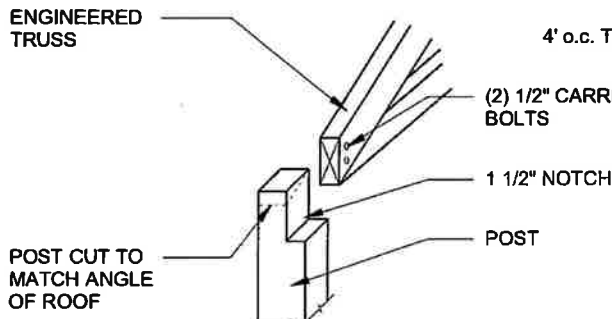
POLE BARN GUIDE	FLOOR PLAN	SHEET 1
		SCALE 3/16" = 1'-0"



POLE BARN GUIDE	SECTION	SHEET 2
		SCALE 1/2" = 1'-0"



① **SIDE ELEVATION**
1/4" = 1'-0"



POLE BARN GUIDE	DETAILS	SHEET 3
		SCALE As indicated

Standards for Pole Type Construction

Truss Bearing Beams:

1. Continuous beams designed to support roof trusses shall be thru-bolted to the poles. These shall be (2) ½" carriage bolts or an approved equivalent (such as Ledger-Lok or other proprietary products approved by industry standards acceptable to ICCES reports).
2. Alternative methods of connecting beams to poles utilizing thru-bolted ledgers or jacks will be subject to approval of the Building Official.

Girts (Side-wall Purlins):

1. Girts shall be spaced not more than twenty-four (24) inches on center for exterior wall siding and interior wall covering.
2. Girts are to be secured to wood poles spaced not more than eight (8) feet center to center.
3. Wood girts two (2) inches by four (4) inches nominal shall be secured to each pole with two (2) each sixteen (16) penny nails.

Structural Guide for Pole Buildings:

Building Width	Footer Diameter	Concrete Thickness	Footer Depth	Pole Size & Spacing	Girder Size
20'	18 Inches	10 Inches	48"	* 4" X 6" @ 8 Ft. o/c	2-2" X 8" SPF No.1
24'	18 Inches	10 Inches	48"	* 4" X 6" @ 8 Ft. o/c	2-2" X 8"
28'	18 Inches	10 Inches	48"	* 4" X 6" @ 8 Ft. o/c	2-2" X 10" SPF No.1
6" SIDE OF POLES SHALL BE PERPENDICULAR TO THE WALL					
32'	24 Inches	12 Inches	48"	6" X 6" @ 8 Ft. o/c	2-2" X 10" SPF No.1
36'	24 Inches	12 Inches	48"	6" X 6" @ 8 Ft. o/c	2-2" X 12" SPF No.1
40'	24 Inches	12 Inches	48"	6" X 6" @ 8 Ft. o/c	2-2" X 12" SPF No 1

The Above Table Based on the Following Design Specifications:

- Min 2,000 psf Soil Bearing
- Max 12' Eave Height
- Max 40' Bearing Width
- Max 45 psf Total Roof Load

ALL RESIDENTIAL POSTFRAME BUILDINGS EXCEEDING ANY OF THESE DESIGN SPECIFICATIONS SHALL BE DESIGNED BY A DESIGN PROFESSIONAL